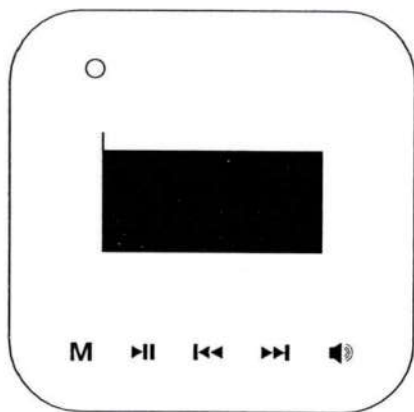
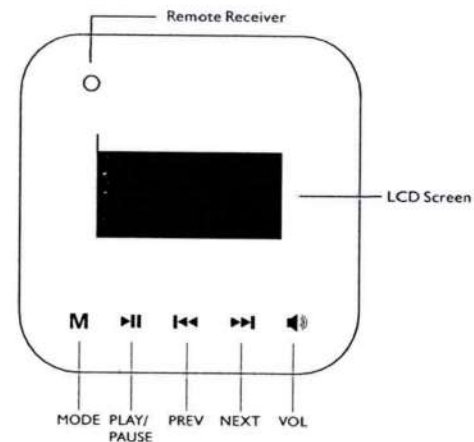


## 86 TYPE WALL MOUNTED AMPLIFIER



- # Sound effect: Built-in a variety of sound effects for choosing.
- # Multiple play mode options: single loop, all loop etc.
- # 5 sound source selection: AUX Input (wiring input L+R); Built-in FM Radio; External TF card; USB Port; Bluetooth.
- # 1 AUX Input: generally refers to computer audio sources shared by home wiring, DVD sound source and so on.
- # Built-in FM Radio: Built-in full digital FM radio, 30 electricity Taiwan storage.
- # External TF card: can be downloaded through the reader to update.
- # USB Port: U disk directly play.
- # 1 AUX Output: Any sound source being played on this product can be input Go to other split amplifier controllers to achieve sharing.
- # Volume adjustment: 32-level electronic volume adjustment function.
- # Infrared remote control function: A remote controller.
- # Bluetooth pairing key: Default is "0000", can be reset.

## Front Panel



2

4

### Introduction

This machine uses 2 inch screen. It has two major technological innovations:

First, the machine uses the most advanced tempered glass panel and touch screen display integration of processing technology, industry-leading innovation.

Second, The operating buttons use capacitive touch, remote control and other multiple technology combined mode design, the only innovation in the industry.

This product uses integrated digital power amplifier technology to create a higher sound quality.

### Main Function

# New digital amplifier technology: low distortion, low noise, effective High rate and good sound quality.

# High-fidelity stereo sound: Able to restore a high voicing sound source and sound field positioning.

# Audio format: Supports WAV, MP3, WMA and other general music formats.

# Bluetooth function: You can use smart phones with Bluetooth, such as mobile phones or other Sub-products for music enjoyment.

1

### # Technical Parameter

- \* Operating temperature: -5-60 °C
- \* Power supply: AC220V 50HZ
- \* Output power: 30W+30W(MAX)
- \* Output impedance: 8Ω
- \* Frequency response: 20HZ-20KHZ
- \* Infrared remote control distance: ≤ 5M
- \* Bluetooth transmission distance: ≤ 8M
- \* Product size: 89\*89\*55MM (length \* width \* thickness)
- \* Opening size: 72\*72\*50MM (length \* width \* thickness)

### Instructions for use

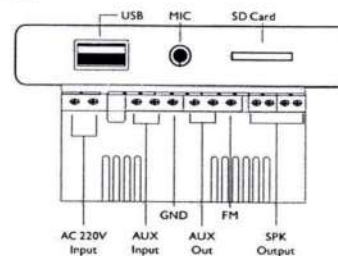
# Power switch: Turn the power switch to the left to turn on, wait 3-5 seconds for the machine to enter into the boot interface.

# MODE Button: Bluetooth/AUX/FM Radio/MP3(USB/TF) switching function.

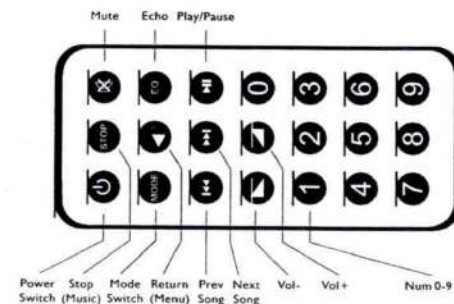
# Play/Pause Button: Play or pause in music playing, short press on radio mode will automatically Scan radio station, short press in other modes will be Mute.

3

## Side Panel



## Remote



5