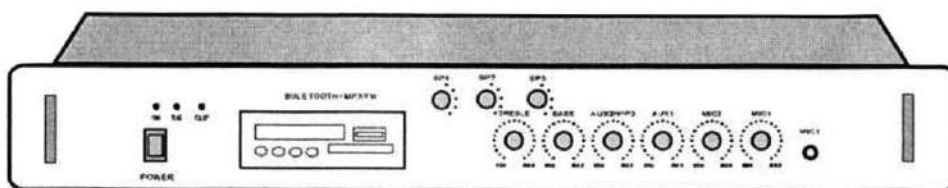


Power amplifier



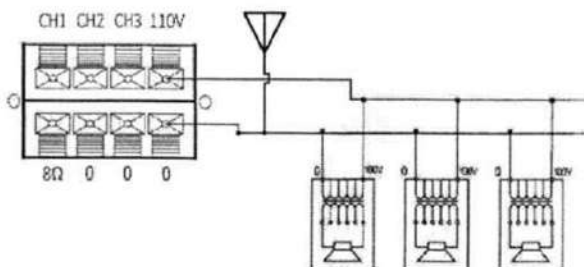
OPERATING INSTRUCTIONS

Performance parameter table

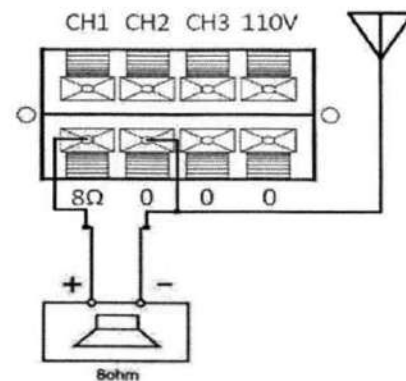
model	ZA-300
Rated output	80W
Output way	4-16 Ω balance lose out, 100 v constant pressure lose out MIC 1, 2, : -50db, A U X 1, 2: -10db
The input	Don't balance
Frequency response	80Hz-1 6K H z , (\pm 3 d B)
Harmonic distortion	<0. 2%at-1 K H z , 1/3retad p o w e r
Signal to noise ratio	M I C 1、 2: 66dB; A U X 1、 2 :70 d B
Tone control	bass: \pm 1 0d B at20H z; The high : \pm 10dB at10KH z
To protect the	Dc output, overload, short circuit
The power supply	A C ~220V-2 4 0V/50-60 H z
size	4 8 2 X 310 X 8 8 m m
Gross weight	9KG
The net weight	7KG

Connection schema

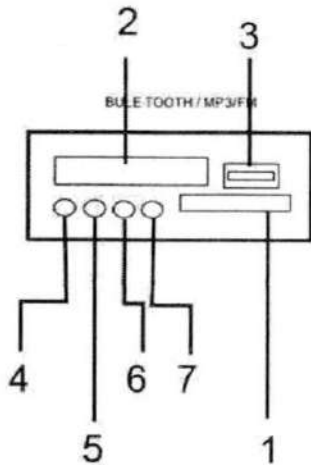
100V speaker connection diagram



8 Ω speaker wiring diagram

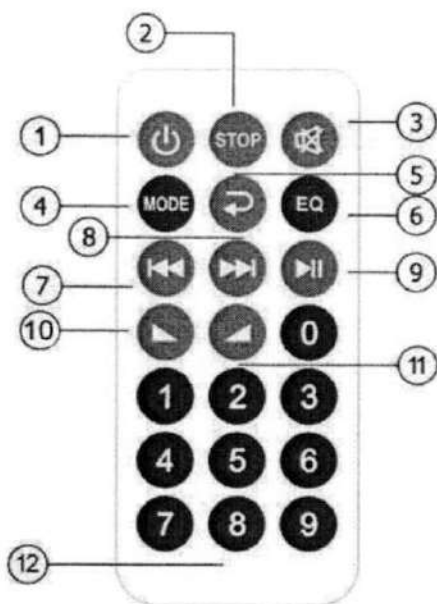


OPIS PANELU ODTWARZACZA MP3



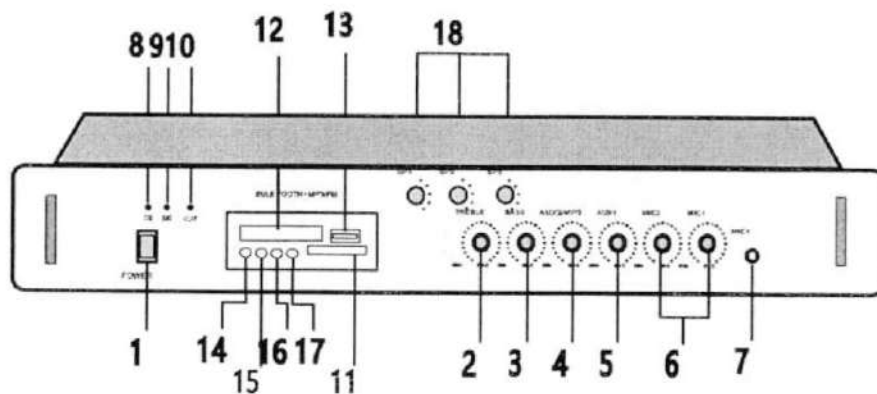
1. SD memory card slot
2. Display
3. USB port
4. Previous page/volume -
Kneading head
Previous song/Press sum
Press and hold to lower volume
5. Play/pause
6. Next/Vol+
Press to move to the next
Track/hold to increase volume
7. Patterns
Press to select a source
USB/SD/FM/ Bluetooth

OPIS PILOTA



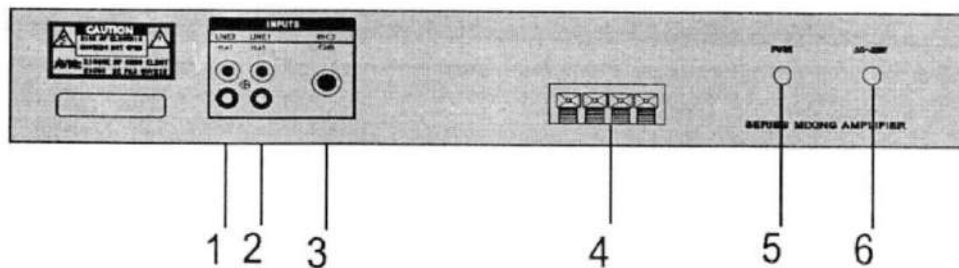
1. Switch ON/OFF
2. Stop/play
3. Mute
4. Patterns
USB/SD/FM/BI UETOOTH
source selection
5. Loop play
6. EQ audio correction
7. Previous track
8. Next track
9. Play/pause
10. Volume control +
11. Volume Control -
12. Battery socket

panel



- | | |
|--|---|
| 1. The powerswitch. | 10. Clipping indicator light. |
| 2. High regulating. | 11. SD card socket. |
| 3. Bass adjustment. | 12. MP3 information display |
| 4. Line 2 input/MP3 volume adjustment. | 13. Usb socket |
| 5. Line 1 input volume adjustment. | 14. 1 button on MP3
(long presstoreduce volume) |
| 6. Microphone (1, 2) input level adjustment. | 15. MP3 player/pause button |
| 7. Microphone 1 input jack | 16. MP3 next button
(long pressto increase volume) |
| 8. Power indicator. | 17. MP3/bluetooth/radio mode conversion |
| 9. Signal light. | 18. Zone volume control. |

The rear panel



- | | |
|--|--------------------|
| 1. Stereo line input 1 jack | 5. The fuse holder |
| 2. Stereo line input 2 jack | 6. The power cord |
| 3. Microphone 2 input jack | |
| 4. Output clamp: From left to right, respectively:
SP1、 SP2、 SP3、 110V、 4-16Ω
The output COM、 COM、 COM | |